

# HEARTH CLASSICS

BY American Panel




Ember & Thermal Protection

# Traditional Hearth Pad Tile Colors


---

Select from a large variety of tile colors that will look best with your stove and home. Looking for a more complex color combination? Add extra beauty to your stove while providing excellent protection with a two-tone tile hearth pad.

**Current tile offerings are subject to change, and the actual tile color may vary from the product picture. Tile shown in any lifestyle pictures may or may not be available. Please check [hearthclassics.com](http://hearthclassics.com) for a current list of available products.**



Olympic Gray



Canyon



Sonora Desert



Desert



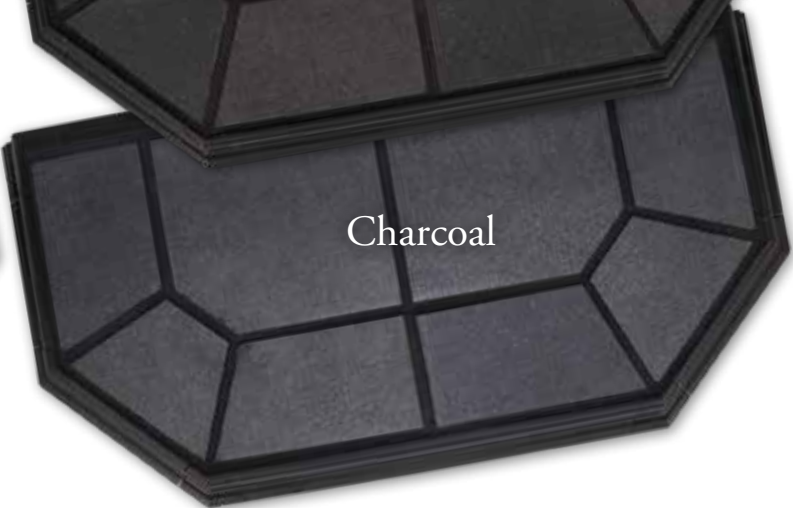
Desert Canyon



Arctic Sky



Black Hills



Charcoal

# Slate/Stone/Brick Colors

---

Natural Cleft Slate is the most popular texture for slate flooring. The surface is moderately rough, giving your hearth pad a unique, slip-resistant appearance. If you want a more earthy feel and antique look for your hearth pad, Tumbled Slate is a versatile material that aesthetically adds to the interior of any home. Use our Used Brick for a traditional hearth pad look.


**Color of slate, stone or brick will vary from product pictures as these are natural stone. Please check [hearthclassics.com](http://hearthclassics.com) for a current list of available products.**



Montana Stone



Mica



Indian Slate



Used Brick

## Custom Pads and Decorative Inlays

---

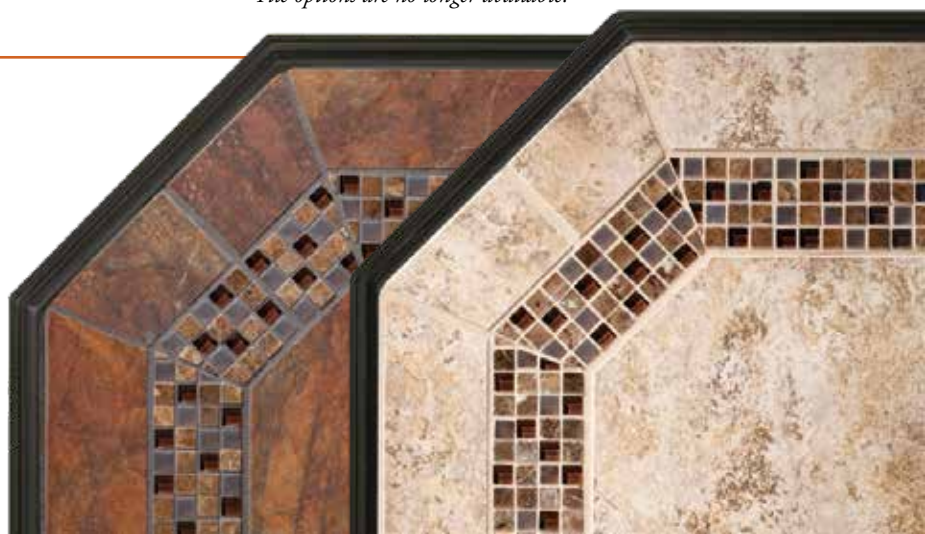
We specialize in custom pads. We can cut a hole for your pipe, make a custom size to fit your specific needs, use your tile to match the rest of your house, you name it. We also offer an attractive inlay that will draw all eyes to your stove. We can add an inlay to any tiled pad. Your options are endless.



Venice Inlay

**The Venice Inlay has been discontinued.**

*Tile options are no longer available.*



# Accessories

## Wall Pads

Our fully non-combustible wall pads are available for flat walls or corners for the Original or Colonial Edge pads. We make matching wall pads to go with every size floor pad, even custom sizes. Our mounting brackets raise the pad 1" off the hearth pad and hold it 1" away from the wall. This mounting system and our fully noncombustible design can reduce clearances to a combustible wall by up to 66% in many cases. Talk with your stove dealer and check your stove manual for clearance requirements for your stove.

- Available for standard (single wall board) and corner (two wall boards) installations.
- May reduce clearances to combustible walls.
- Mounting brackets are available to space wall pad(s) - 1" off hearth pad and 1" away from the wall.
- Provides an attractive hearth setting for your stove



## Pedestals for Hearth Pads

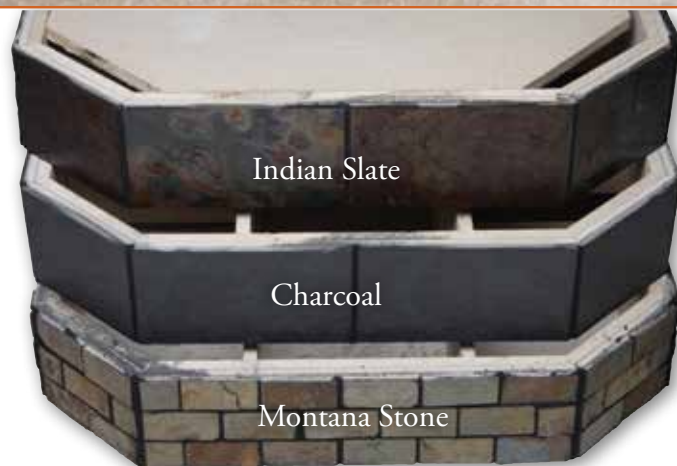
Matching pedestals are available for all sizes and shapes, including special orders. Pedestals are offered in tile, slate, stone or brick and are designed and built to be slightly smaller than the hearth pad. The hearth pad, which is a separate unit, will overhang the pedestal on all sides.

### Standard Pedestal - 6" Height

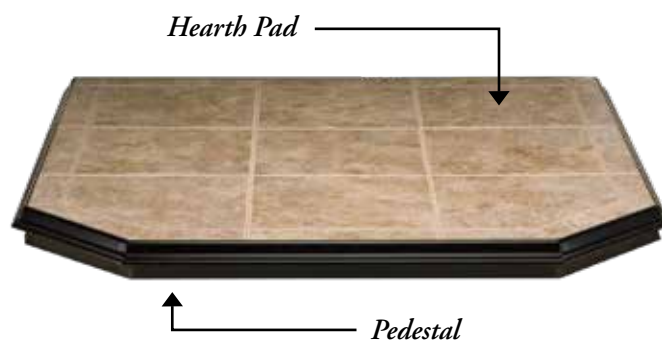
- Available with or without thermal value: No thermal value – pedestal will include a 3/4" solid top surface (not just framing).
- Thermal Value Pedestal: R-value of 2.08 includes 1" mineral fiberboard, R-value of 3.12 includes 1-1/2" mineral fiberboard.
- These two options when combined with the hearth pad will increase the total R-value to a minimum of 3.67 and 4.71 respectively.
- Solid 3/4" surface is installed under the mineral fiberboard and is not included in the R-value rating.

### Low-Profile Pedestal

- Two layers of mineral fiberboard installed in our Original Edge 1" frame raises the R-value by 2.08 for a total R-value of 3.67 or 4.32 depending on the frame of the hearth pad.
- Designed and built to be slightly smaller than the hearth pad - makes a great base for installations on thick carpet and/or padding.
- Available for use with either of the Original Edge or the Classic Edge frames.
- Low-Profile Pedestal and hearth pad are separate units.



*Examples above are of the Standard Pedestal with assorted tile options.*



# Protection for Your Floors

## TYPE 1 - Ember Defender

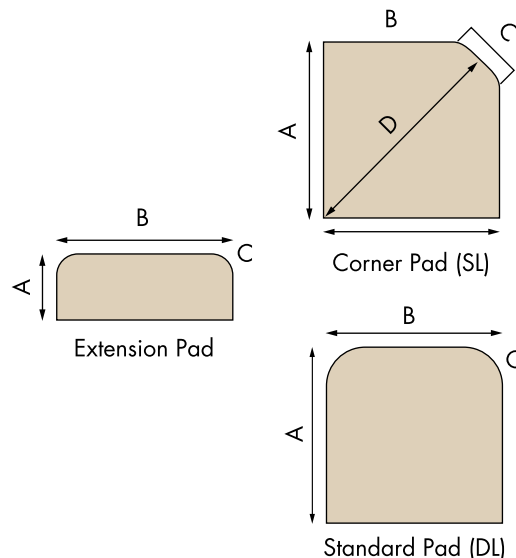
### Steel Hearth Pads (Ember Protection Only)

All wood, pellet, and coal free-standing stoves require a hearth pad to protect your floor from falling embers. The Ember Defender may be the perfect choice if this is the case with the stove you have selected. If your stove requires the hearth pad to be Type 2 or requires the hearth pad to provide thermal protection (a specific R-value), you must select a traditional heart pad.

### Color Options / Shapes / Sizes

The Ember Defender is available in black only. The black powder coating has a slight texture and is applied to both sides. Either side can be used as the top if one side is not perfect after being shipped to your location. Please note in addition to being available in **black only**, the Ember Defender is available in fewer shapes and sizes than our traditional hearth pads. The **front edge corners are rounded** versus a straight 45-degree angle.

- Provides excellent Type 1 protection.
- Heavy duty 10-gauge (1/8" thick) steel.
- Listed to UL 1618 tested protection for your family's safety/security.
- No removal of carpeting required.
- Ground strap kit available if needed.
- Manufactured in the USA.



# Heat Protection for Floors

## TYPE 2 - Traditional Hearth Pads

### (Ember & Thermal Protection)

For today's highly efficient stoves, a Hearth Classics non-combustible hearth pad will block the heat from passing through to your subfloor. Fully non-combustible, with an R-value of 2.24 or 1.592 (R-value information), it provides protection well above the minimum requirements for Type 2 hearth pads (minimum requirement of R-value=1.0). ThermaShield or a 6" pedestal is recommended for hearth pads requiring an extremely high R-value. All our pads are tested to meet or exceed UL 1618.

### Original Edge Frame

Hearth Pads Sizes up to 48" x 54"  
With R-value of 2.24

- 1" frame
- 30% lighter than other hearth pads.
- Single 1/2" non-combustible substrate with significantly higher R-value than other substrates.

Hearth Pads Sizes 54" or Larger With  
R-value of 1.592

- 1-1/4" frame
- Two substrates equal to 3/4" that provide a slightly lower R-value than the single substrate in our 1" frame.
- Two substrates are required to provide strength for larger hearth pads.



### Classic Edge Frame

Hearth Pads Available in Any Size With R-value of 1.592

- 1-1/4" frame
- Utilizes two substrates that equal 1/4" and provide the necessary strength for larger hearth pads.
- Provides an R-value of 1.592, which is well above what is required by Standard 1618 and required by most stoves.



# Shapes and Sizes

Our pads are offered in most popular sizes and shapes. Please consult your stove's owner's manual to determine the clearance requirements of your stove. Your hearth pad dealer can help you choose the most appropriate pad size and shape for your home. Custom sizes are welcomed but cannot exceed 60".

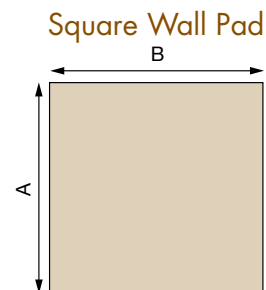
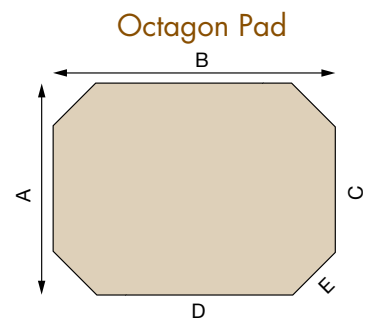
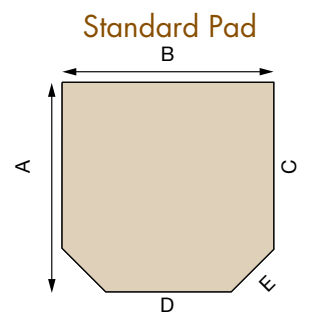
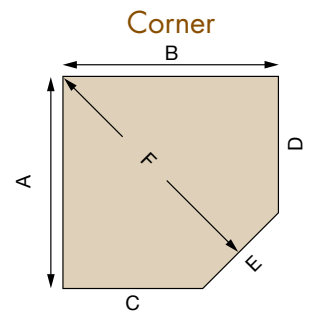
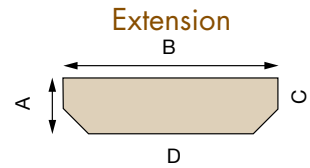
## Measurements

Shapes (inches)	A	B	C	D	E	F
<b>Extension</b>						
12 Extension	12	48	7 ¾	39 ½	6	NA
18 Extension	18	48	13 ¾	39 ¾	6	NA
<b>Corner (sl)</b>						
32 SL	32	32	26 ½	26 ½	8	42
36 SL	36	36	30 ½	30 ½	8	45
40 SL	40	40	31 ½	31 ½	12	50
48 SL	48	48	37 ½	37 ½	15	60
54 SL	54	54	43 ½	43 ½	15	69
60 SL	60	60	49 ½	49 ½	15	77
<b>Standard (dl)</b>						
32 DL	32	32	26 ½	20 ½	8	NA
36 DL	36	36	30 ½	24 ½	8	NA
40 DL	40	40	31 ½	23	12	NA
48 DL	48	48	37 ½	27	15	NA
48D x 40WDL	48	40	39 ½	23	12	NA
48D x 54W DL	48	54	37 ½	39	15	NA
54D x 48W DL	54	48	43 ½	27	15	NA
54 DL	54	54	43 ½	27	15	NA
60 DL	60	60	49 ½	39	15	NA
<b>Octagon (oct)</b>						
24x32 OCT	24	32	16	23 ½	6	NA
24x36 OCT	24	36	16	27 ½	6	NA
<b>Wall (sq)</b>						
36x48 SQ	48	36	NA	NA	NA	NA
40x48 SQ	48	40	NA	NA	NA	NA
48x48 SQ	48	48	NA	NA	NA	NA
54x48 SQ	48	54	NA	NA	NA	NA

Dimensions are measured to the outside of the frame of an original edge Type 2. Classic Edge will be slightly larger and the Original Edge 1" frame will be slightly smaller.

Dimensions are in inches.

Tile hearth pads are 1" thick or 1-1/4" thick depending on frame. The slate, stone and brick hearth pads may be slightly thicker.



**HEARTH CLASSICS**

BY American Panel